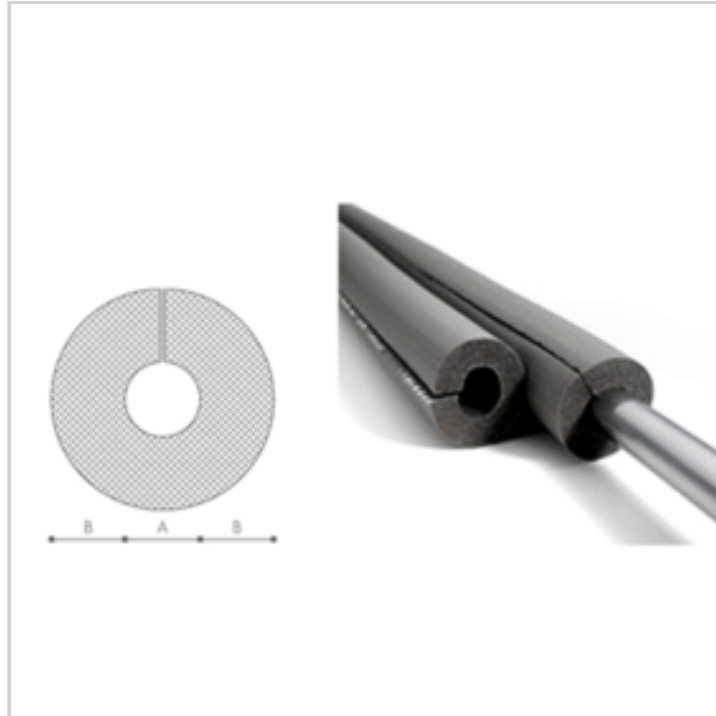


Price offer : OP16761 (price valid until : 20/04/2026)

TUBE ISOLATION 2 METRES INSULTUBE XT COLORIS NOIR

Ref. 30277133



DETAILED INFO

Material : Caoutchouc et mousse de polyéthylène

Gross Weight : 120 gr.

Net Weight : 110 gr.

Size item : L 0 x w 0 x h 0 cm

Packaging: sachet plastique 26x21x6cm

MOQ : 1

Customs Tariff Number :

Note :

EAN : 3456850302776 **Ref. :** 30277133

Price : 3.65 €

Price offer : OP16761 (price valid until : 20/04/2026)

TAPEPAL® RED COLOR

Ref. 91237133



Tapepal® is a compact hand-held tape dispenser that works with your regular sized roll of 25mm wide sticky tape. There's no need to buy a small throw away tape dispenser or the bulky desktop type, just attach the TapePal to your regular sized roll of tape, and away you go! No more hassle searching for the lost end of your sticky tape. The spring finger holds the TapePal® firm to the reel of tape for a smooth delivery everytime. Uses up to 85% less plastic than the conventional desktop tape dispenser, making TapePal kinder to the environment. TapePal stores away with your tape so it's ready to use as soon as you pick it up. The concealed self-tensioning spring finger means you'll never trap your fingers, making it very child friendly! Ergonomically designed to give you extra grip and comfort

DETAILED INFO

Material : plastique

Gross Weight : 30 gr.

Net Weight : 20 gr.

Size item : L 0 x w 0 x h 0 cm

Packaging: blister 16.5 x 10 x 3.5cm

MOQ : 1

Customs Tariff Number :

Note :

EAN : 5060481410007

Ref. : 91237133

Price : 2.78 €

Price offer : OP16761 (price valid until : 20/04/2026)

WINDOW INSULATION KIT 42'X62' W/ TAPE

Ref. 90651133



Indoor window insulation kit : clear film that stops cold drafts
 Crystal clear shrink film insulates up to 3 standard window
 kit includes : 3 sheets of film each 42" x 62" long and 1 roll of tape 1/2 inch x 54 feet
 shrink film with a hair dryer to remove wrinkles

DETAILED INFO

Material : Plastique polyéthylène

Gross Weight : 170 gr.

Net Weight : 0 gr.

Size item : L 0 x w 0 x h 0 cm

Packaging: sachet plastique 21 x 15 x 2 cm

MOQ : 1

Customs Tariff Number : 3919108090

Note :

EAN : 3456850906516

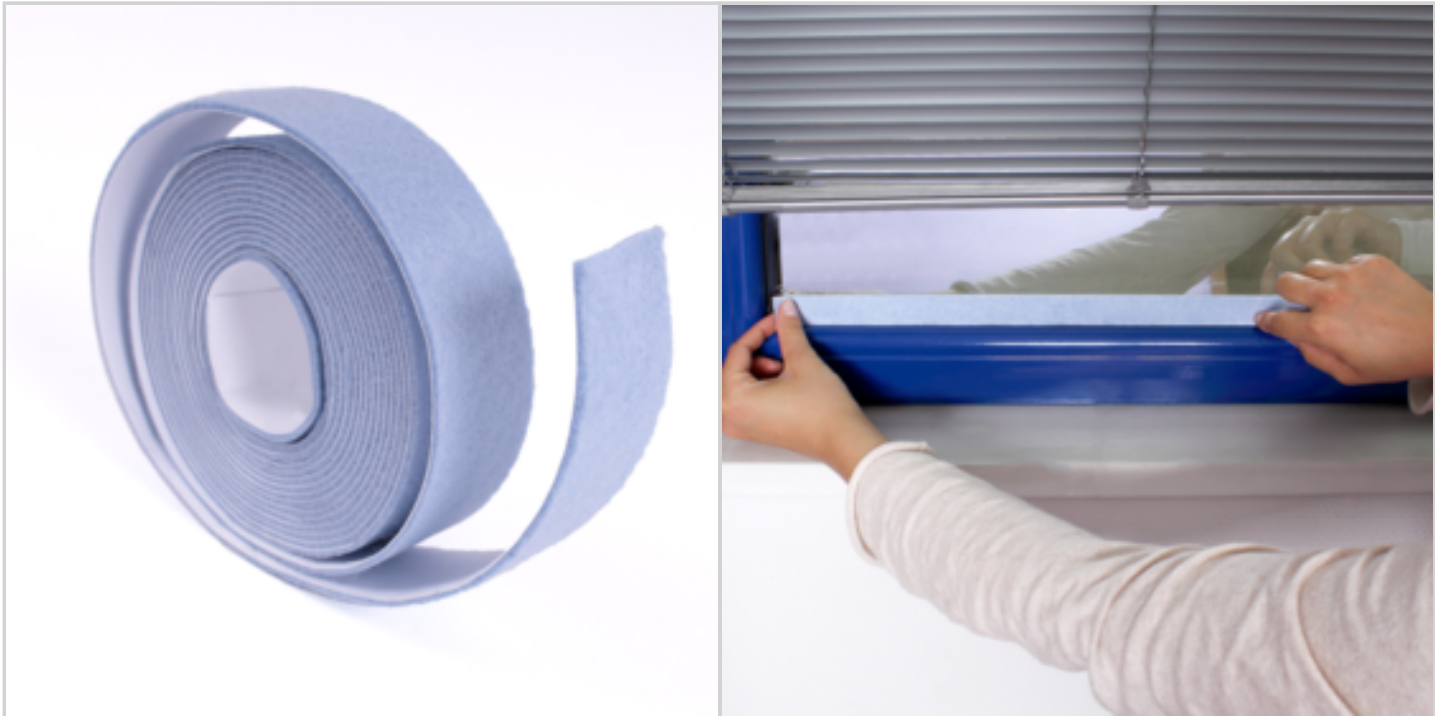
Ref. : 90651133

Price : 2.59 €

Price offer : OP16761 (price valid until : 20/04/2026)

TAPE WINDOW INSULATOR 3METERS

Ref. 30288133



TAPE WINDOW INSULATOR

DETAILED INFO

Material : feutre en viscose

Gross Weight : 60 gr.

Net Weight : 50 gr.

Size item : L 0 x w 0 x h 0 cm

Packaging: sachet plastique/150 en A

MOQ : 1

Customs Tariff Number : 5906100000

Note :

EAN : 3456850302882

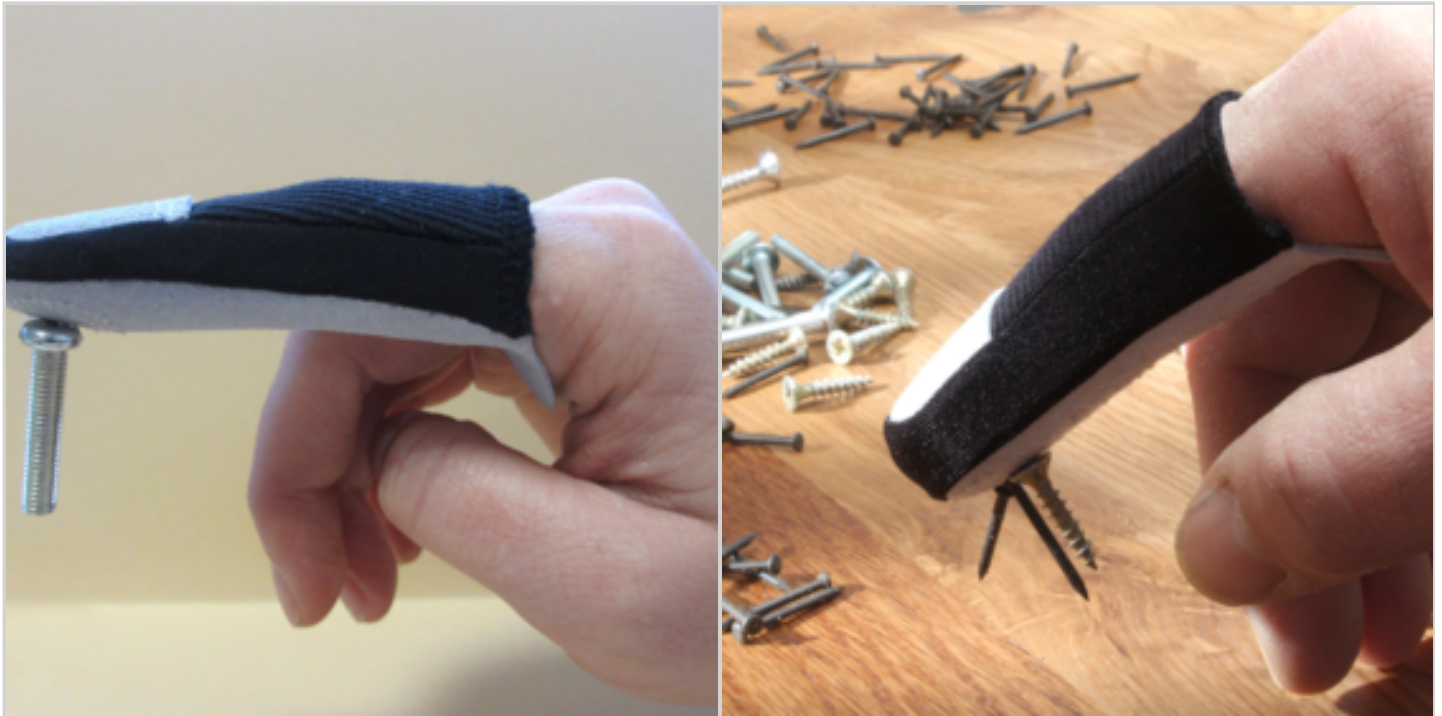
Ref. : 30288133

Price : 1.69 €

Price offer : OP16761 (price valid until : 20/04/2026)

MAGNETIC FINGER 1 SIZE FITS ALL

Ref. 30147133



Ideal for DIY activities

Allows to catch more easily screws, nails, nuts...

One magnet is included into the lining at the finger's top

Single size

Stretchable fabric

DETAILED INFO

Material :

65%polyamide/20%élasthanne/15%cuir

Gross Weight : 10 gr.

Net Weight : 0 gr.

Size item : L 0 x w 0 x h 0 cm

Packaging: sachet plastique 10 x 8 cm

MOQ : 1

Customs Tariff Number : 8505199099

Note :

EAN : 3456850301472 **Ref. :** 30147133

Price : 1.49 €

Price offer : OP16761 (price valid until : 20/04/2026)

PLASTIC NAILS GUIDE BLUE COLOR

Ref. 30132133



very useful to guide and maintain the nails

- avoid to hurt one's fingers
- suitable for different nails sizes
- plastic
- size 6,5 x 3,5 x 1,6 cm
- gross weight 15gr

DETAILED INFO

Material : plastique

Gross Weight : 20 gr.

Net Weight : 10 gr.

Size item : L 0 x w 0 x h 0 cm

Packaging: boite carton 8 x 4,5 x 1,8 cm

MOQ : 1

Customs Tariff Number : 39269097

Note :

EAN : 3456850301328

Ref. : 30132133

Price : 0.49 €

Price offer : OP16761 (price valid until : 20/04/2026)

HARDWARE HAND GRIPPER SET

Ref. 30311133



Use the hardware hand gripper to hold a nail in place while hammering the nail head or to hold a screw in place. The gripper has several different sized openings.
Color : blue and black.

DETAILED INFO

Material : plastique, acier

Gross Weight : 180 gr.

Net Weight : 150 gr.

Size item : L 0 x w 0 x h 0 cm

Packaging: boîte carton 25 x 6 x 4.7 cm

MOQ : 1

Customs Tariff Number : 3926909790

Note :

EAN : 3456850303117 **Ref. :** 30311133

Price : 1.78 €

Price offer : OP16761 (price valid until : 20/04/2026)

HANGING BIRD FEEDER

Ref. 81768102



This excellent hanging bird feeder is the smart choice for feeding small birds in your garden. The round edged base is perfect for attracting smaller birds like tits and goldfinches that like to cling while they feed.

Larger birds like starlings and pigeons can't get an easy foothold and will usually feed elsewhere. With a protective seed cover that keeps the seed dry and fresh, this feeder is easy to fill and comes apart completely for cleaning. Incorporating an integral hanging hook.

DETAILED INFO

Material : PVC**Gross Weight :** 260 gr.**Net Weight :** 0 gr.**Size item :** L 0 x w 0 x h 0 cm**Packaging:** boite carton**MOQ :** 1**Customs Tariff Number :** 392690979009L**Note :****EAN :** 4041041832409**Ref. :** 81768102**Price :** 2.99 €

Price offer : OP16761 (price valid until : 20/04/2026)

DAUER DICHTUNG FUR FENSTER UND TUREN AUS GUMMI 10M BROWN COLOR

Ref. 30170136



Long lasting self adhesive draught excluder, P shaped

To seal window and door from air, dust, draught...
resistance : 6-8 years

DETAILED INFO

Material : EPDM - gomme plastique

Gross Weight : 60 gr.

Net Weight : 50 gr.

Size item : L 0 x w 0 x h 0 cm

Packaging: sachet plastique 20 x 20 x 2 cm

MOQ : 1

Customs Tariff Number : 39 24 90 90

Note :

EAN : 8003202407396

Ref. : 30170136

Price : 3.35 €

Price offer : OP16761 (price valid until : 20/04/2026)

DAUER-DICHTUNG FÜR FENSTER UND TÜREN AUS SCHAUMSTOFF

Ref. 30169133



Self-adhesive draught-excluder

To seal window and door from air, draughts, dust...

Clean well the surface, then take off the outliner and press firmly the tape on the window frame

DETAILED INFO

Material : mousse polyuréthane

Gross Weight : 30 gr.

Net Weight : 0 gr.

Size item : L 0 x w 0 x h 0 cm

Packaging: sachet plastique 24 x 22

MOQ : 1

Customs Tariff Number : 39249090

Note :

EAN : 8003202401585

Ref. : 30169133

Price : 0.89 €

Price offer : OP16761 (price valid until : 20/04/2026)

DAUER DICHTUNG FUR FENSTER UND TUREN AUS GUMMI 6M WHITE COLOR

Ref. 30170133



Long lasting self adhesive draught excluder, P shaped

To seal window and door from air, dust, draught...
resistance : 6-8 years

DETAILED INFO

Material : EPDM - gomme plastique

Gross Weight : 60 gr.

Net Weight : 50 gr.

Size item : L 0 x w 0 x h 0 cm

Packaging: sachet plastique 20 x 20 x 2 cm

MOQ : 1

Customs Tariff Number : 39 24 90 90

Note :

EAN : 3456850301700

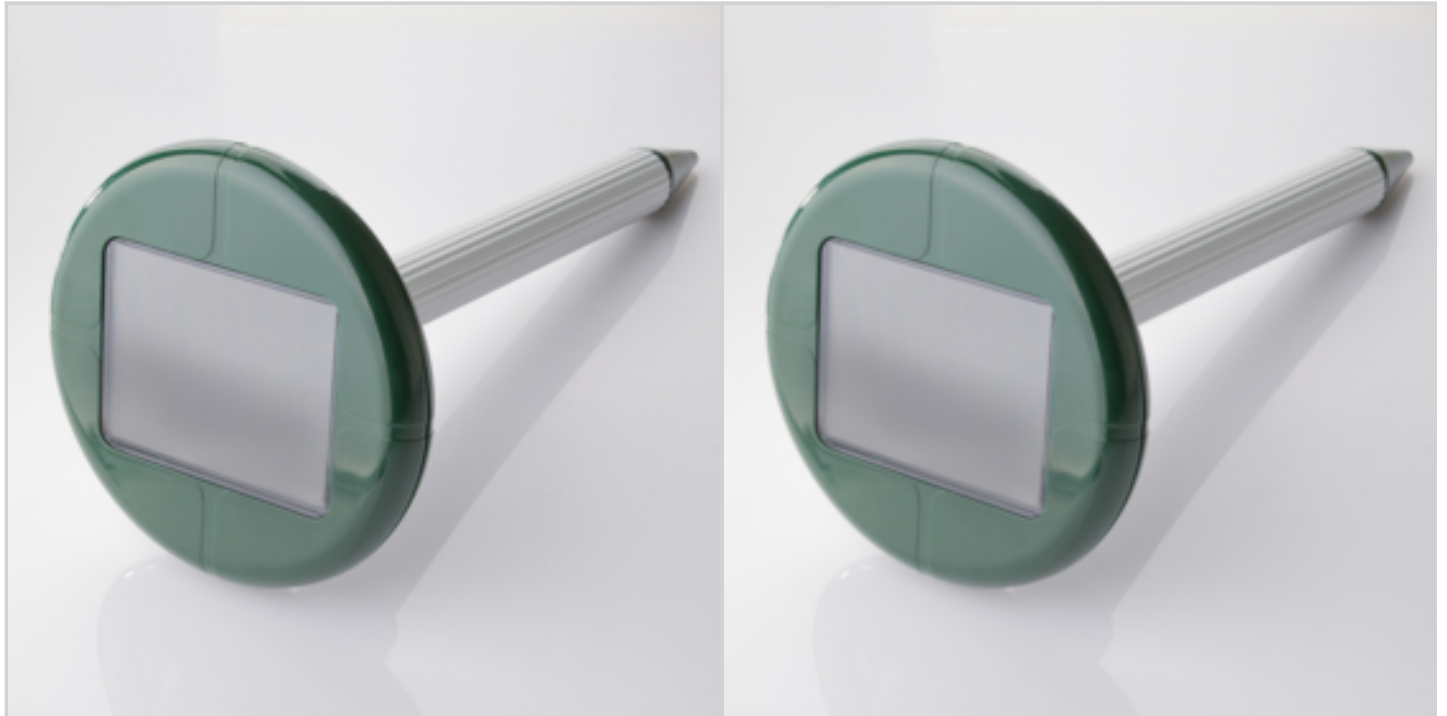
Ref. : 30170133

Price : 1.89 €

Price offer : OP16761 (price valid until : 20/04/2026)

GARDEN SOLAR PEST REPELLER

Ref. 80260133



Garden solar moler

The solar module built in the upper part converts sunlight into electricity, which is then stored in the built-in rechargeable battery. The vibration generator in the lower part of the aluminum tube is powered by these battery and sends sonar waves of approx.400Hz into the soil. These waves repel moles and mice without harming them in any way. The sonar waves are sent out every 30 seconds for as long as the battery is charged.

DETAILED INFO

Material : plastique et aluminium

Gross Weight : 380 gr.

Net Weight : 250 gr.

Size item : L 0 x w 0 x h 0 cm

Packaging: Boite carton 41x16x8.5cm - 7 en A

MOQ : 1

Customs Tariff Number : 8543709099

Note : [nouveau prix](#)

EAN : 3456850802603

Ref. : 80260133

Price : 5.98 €
+ 0.06 € of DEEE

Price offer : OP16761 (price valid until : 20/04/2026)

BUCHE DE RAMONAGE

Ref. 51476133



DETAILED INFO

Material :

Gross Weight : 1000 gr.

Net Weight : 0 gr.

Size item : L 0 x w 0 x h 0 cm

Packaging: Boite carton

MOQ : 1

Customs Tariff Number :

Note :

EAN : 3760056910001

Ref. : 51476133

Price : 3.98 €

Price offer : OP16761 (price valid until : 20/04/2026)

STAIN REMOVER SOAP - TERRE DE SOMMIERES - ORANGE ESSENCE 100 GR

Ref. 51441133



Moisten the soap and the stain. Rub and leave on for 15 minutes. out of water. Rinse.

Net weight : 100 gr

Made in France

DETAILED INFO

Material :

Gross Weight : 110 gr.

Net Weight : 100 gr.

Size item : L 12 x w 2.8 x h 2.8 cm

Packaging: film transparent

MOQ : 1

Customs Tariff Number : 34011900

Note : BEST SELLER !!

EAN : 3760266020101

Ref. : 51441133

Price : 2.18 €

Price offer : OP16761 (price valid until : 20/04/2026)

NO BEND WEED REMOVER REMAILER BOX

Ref. 81714133



The spike mechanism makes it possible to turn the soil all around the weed and then extract it easily, including the roots. Equipped with two handles for even more efficient handling: the central handle allows to operate the mechanism easily with the integrated spring.

No need to kneel!

Plastic handle, aluminum body and 3 metal tips.

Length: 100 cm

Easy to assemble, screws supplied

DETAILED INFO

Material : PP + aluminium + métal

Gross Weight : 590 gr.

Net Weight : 410 gr.

Size item : L 0 x w 0 x h 0 cm

Packaging: Boite 22.7X52.5X4.5cm

MOQ : 1

Customs Tariff Number : 82019000

Note : [nouveau prix](#)

EAN : 3456850817140 **Ref. :** 81714133

Price : 6.98 €

Price offer : OP16761 (price valid until : 20/04/2026)

BATTERY OPERATED LIQUID TRANSFER PUMP

Ref. 30455133



Pumps Gas, Water, Oil, & Other Non Corrosive Liquids.
 Use In Garage, Aquariums, Basement, Bathroom, Shop, & Yard.
 Pumps 5-6 Quarts Of Liquid Per Minute!
 Switch on/off

DETAILED INFO

Material : plastique et composants électroniques

Gross Weight : 300 gr.

Net Weight : 200 gr.

Size item : L 0 x w 0 x h 0 cm

Packaging: boîte blanche 60.5 x 10 x 5.5 cm **MOQ :** 1

Customs Tariff Number : 8413810090

Note : [nouveau prix](#)

EAN : 3456850304558 **Ref. :** 30455133

Price : 5.49 €

Price offer : OP16761 (price valid until : 20/04/2026)

OUTDOOR STEP

Ref. 71993133



- Cut the rise and effort in half when stepping into your doorway
- Large platform makes it easier for those with limited ability to lift their feet and remain steady while stepping up
- Comes with slip-resistant rubber mat
- Maximum user weight 150kgs according to standard EN 14183-F for stepstool

DETAILED INFO

Material : plastique PP et TPR

Gross Weight : 2000 gr.

Net Weight : 1650 gr.

Size item : L 0 x w 0 x h 0 cm

Packaging: boîte 50x40.5x10 cm

MOQ : 1

Customs Tariff Number : 3926909790

Note :

EAN : 3456850719932 **Ref. :** 71993133

Price : 11.95 €

Price offer : OP16761 (price valid until : 20/04/2026)

WEEDING TOOL 31CM GREEN COLOR WITH DRAWING

Ref. 80587133



Specially designed to remove easily weed down to the roots

Material : Steel blade and plastic handle
HD PICTURE IS AVAILABLE

DETAILED INFO

Material : plastique PP et métal inoxydable

Gross Weight : 160 gr.

Net Weight : 150 gr.

Size item : L 0 x w 0 x h 0 cm

Packaging: Sachet plastique 32 x 9 x 3 cm

MOQ : 1

Customs Tariff Number : 82019000

Note :

EAN : 3456850805871

Ref. : 80587133

Price : 2.25 €